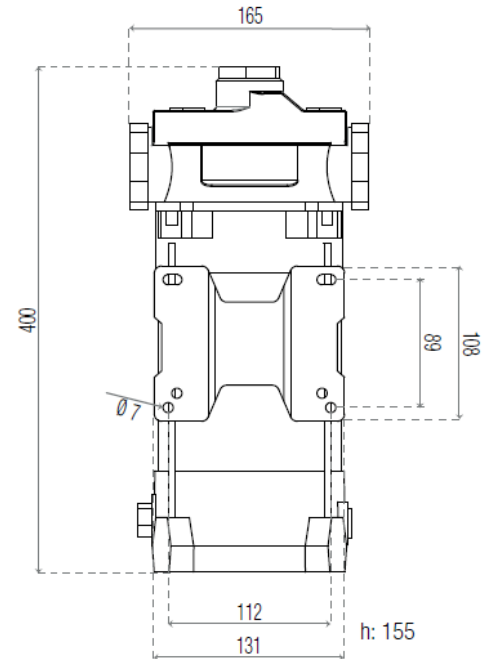


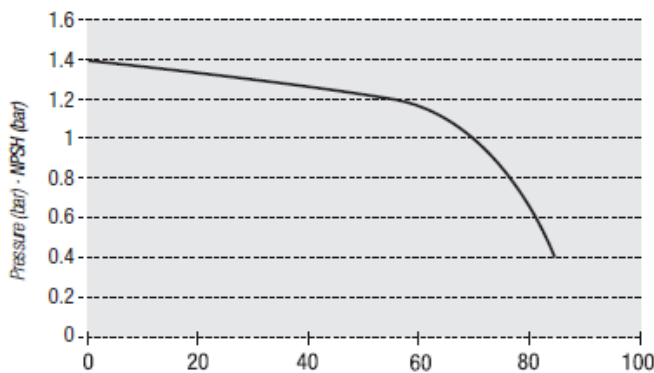
AG-900 12V DC ATEX HEAVY DUTY ROBUST FUEL TRANSFER

Code: 10070

- Vane: Eccentric self-adjusting blades
- Free Flow Rate up to 80 l/min
- Delivery head up to 20m
- Self-priming up to 5m
- Internal recycle valve
- Motor: 0.37kW – 230Vac – IP55
- Duty Cycle: S2 20 minutes
- With thermal motor protection
- No internal electronics that can fail
- Classified: ATEX II 2G
 - Motor: Ex db IIA T4 Gb
 - Pump: Ex h IIB T4 Gb
- F 1" G Threaded connection
- Anti-rust treatment
- 2m Cable
- Weight 19 kg
- Suitable for: Petrol and Diesel, AVGAS 100 / 100LL, JET A / A1 and Paraffin



FLOW CURVES



OPTIONAL ACCESSORIES



MG-84AV



HOSE



PA-80



PSF-040



FG-100G