

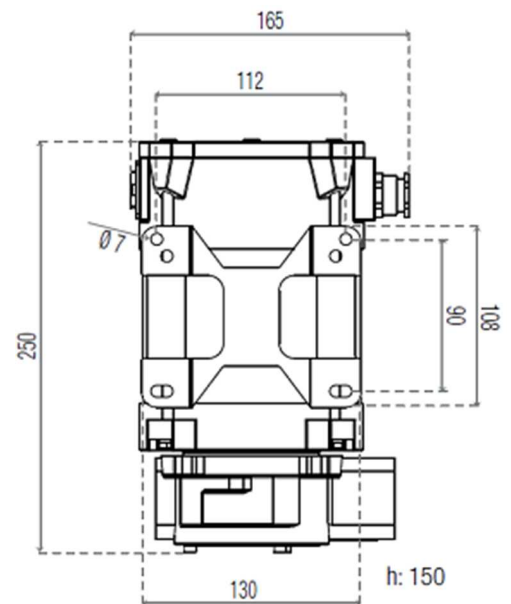
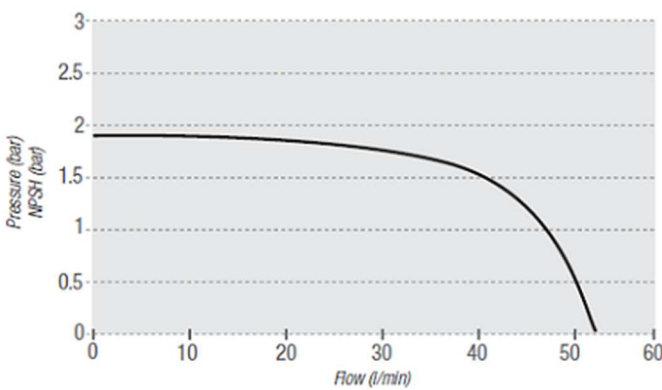
## IRON-50 230V AC ATEX GENERAL PURPOSE ROBUST FUEL

Code: 10035

- Vane: Eccentric self-adjusting blades
- Free Flow Rate up to 50 l/min
- Delivery head up to 20m
- Self-priming up to 2.7m
- Internal recycle valve
- Motor: 0.18kW – 230Vac – IP55
- Duty Cycle: S2 30 minutes
- With thermal motor protection
- No internal electronics that can fail
- Classified: ATEX II 2G
  - Motor: Ex db IIA T4 Gb
  - Pump: Ex h IIB T4 Gb
- F 1" G Threaded connection
- Internal 350 micron strainer
- Anti-rust treatment
- 2m Cable
- Weight 12 kg
- Suitable for: Petrol and Diesel, AVGAS 100 / 100LL,



### Flow Curves



### OPTIONAL ACCESSORIES



MG-84AV



HOSE



PA-80



PSF-040



FG-70



FG-100G